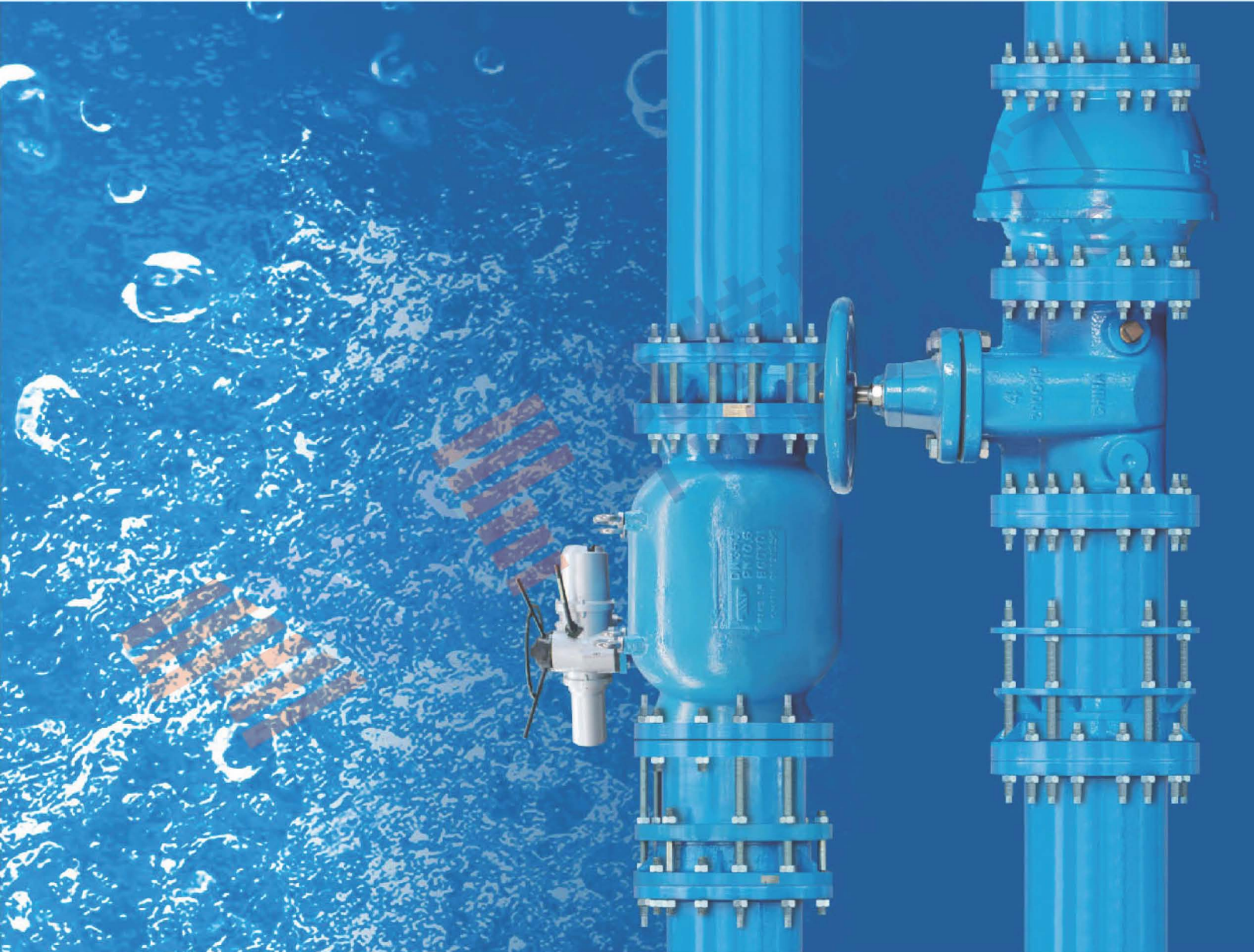




2013 EDITION



补偿接头系列 Compensation Joint



A leader

In Valve Technology

天津塘沽瓦特斯阀门有限公司
TIANJIN TANGGU TWT VALVE CO., LTD.

www.twtvalve.com



AY型压盖松套补偿接头

TYPE-AY COVER LAPPED COMPENSATION JOINT

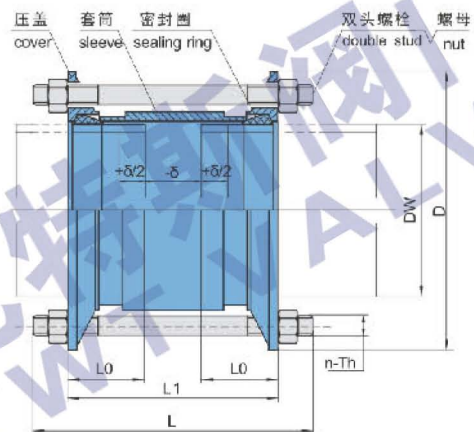
性能特点 Features

本产品为新型管道连接器，较之传统的产品，结构设计更合理，密封性能更可靠，两端采用承插连接，安装、拆卸简便，在连接管道的同时补偿管道一定范围内的轴向位移及挠曲、偏心。适合连接输送水、油、气及颗粒粉状物等的钢管、铸铁管、球墨铸铁管等。

Cover lapped compensation joint is a new type of pipe connector developed by our company, The product is well designed at its structure, with reliable leak tightness. Both ends of product adopt socket connection, and are easy to install, uninstall. It is suitable for connecting steel pipes, cast iron pipes, ductile iron pipes which transports water, petroleum, gas and powder stuff, It can compensate a scope of axial displacement, flexing and decentration while connecting pipes, etc.

主要性能参数 Main parameters

| | | | | |
|------------------------------|--------|---------|----------|-----------|
| 公称直径 DN | 65~250 | 300~700 | 800~3200 | 3400~4000 |
| 管子插入长度 L0 Pipe Insert Length | 65 | 80 | 105 | 140 |
| 伸缩量δ (mm) Expansion Scope | ±45 | ±55 | ±75 | ±130 |
| 可挠曲 Flexible Extent | 3 | | | |
| 偏心量 (mm) Decentration Extent | 3 | 4 | 5 | 6 |



AY型压盖松套补偿接头基本尺寸

Basic dimensions for Type-AY Cover lapped Compensation Joint

| | | | | | | | | | | | | | | | | | | | | | | |
|--------------------------|-------------|-------|-----|-------|-----|-------|-----|-------|-------|--------|-------|--------|--------|-----|--------|-----|--------|-----|-----|-----|-----|-----|
| 公称直径 DN | 65 | 80 | 100 | 125 | 150 | 200 | 250 | 300 | 350 | 400 | 450 | 500 | 600 | 700 | | | | | | | | |
| 管子外径 Pipe OD DW | 76 | 89 | 108 | 114 | 133 | 140 | 159 | 168 | 219 | 273 | 325 | 355 | 377 | 406 | 426 | 457 | 480 | 508 | 530 | 610 | 630 | 720 |
| 外形尺寸 Out Dimension | L1 | 180 | | | | | | | | | | | 220 | | | | | | | | | |
| | L | 208 | | | | | 220 | | | 223 | | 273 | | | | | | | | | | |
| | D | 155 | 165 | 190 | 195 | 215 | 225 | 245 | 255 | 310 | 375 | 440 | 470 | 490 | 520 | 540 | 570 | 590 | 625 | 645 | 730 | 750 |
| n-Th | 0.25-1.6MPa | 4-M12 | | | | 4-M16 | | | 6-M20 | | 8-M20 | | 10-M20 | | | | 12-M20 | | | | | |
| | 2.5-6.4MPa | 4-M12 | | 4-M16 | | 6-M16 | | 8-M20 | | 10-M20 | | 12-M20 | | | 14-M20 | | | | | | | |

| | | | | | | | | | | | | | | | | | | | |
|--------------------------|-------------|--------|--------|--------|--------|--------|--------|--------|--------|--------|--------|--------|--------|--------|--------|--------|--------|--------|------|
| 公称直径 DN | 800 | 900 | 1000 | 1200 | 1400 | 1500 | 1600 | 1800 | 2000 | 2200 | 2400 | 2600 | 2800 | 3000 | 3200 | 3400 | 3600 | 3800 | 4000 |
| 管子外径 Pipe OD DW | 820 | 920 | 1020 | 1220 | 1420 | 1520 | 1620 | 1820 | 2020 | 2220 | 2420 | 2620 | 2820 | 3020 | 3220 | 3420 | 3620 | 3820 | 4020 |
| 外形尺寸 Out Dimension | L1 | 290 | | | | | | | | | | 300 | | 320 | | 430 | | | |
| | L | 355 | | | | 377 | | | | 400 | | | | 490 | | | | 500 | |
| | D | 965 | 1065 | 1165 | 1365 | 1590 | 1690 | 1795 | 2000 | 2200 | 2420 | 2635 | 2835 | 3040 | 3240 | 3440 | 3640 | 3860 | 4080 |
| n-Th | 0.25-1.6MPa | 12-M24 | 14-M24 | 16-M24 | 18-M27 | 20-M27 | 22-M27 | 24-M27 | 26-M30 | 28-M30 | 30-M30 | 32-M33 | 34-M33 | 36-M33 | 38-M33 | 40-M33 | 40-M36 | 42-M36 | |
| | 2.5-6.4MPa | 16-M24 | 18-M24 | 20-M24 | 24-M27 | 28-M27 | 30-M30 | 32-M30 | | | | | | | | | | | |

注：船用AY补偿接头套筒中间应设限位螺钉。DN4000以上的AY补偿接头另外设计。

Note: Limit screw shall be fit in sleeve of marine AY compensation joint. AY compensation (more than DN4000) shall be specially designed.

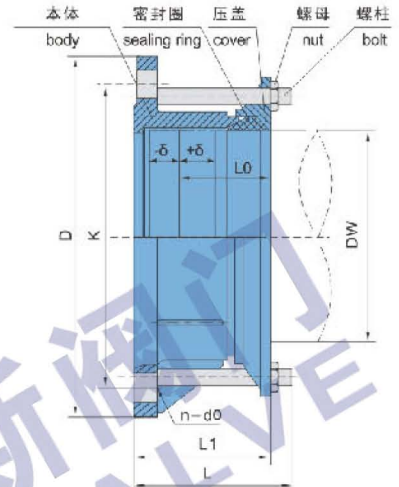
AF型法兰松套补偿接头

TYPE-AF FLANGED LAPPED COMPENSATION JOINT

性能特点 Features

产品密封原理和压盖松套补偿接头相同，连接方式一端为法兰连接，另一端为承插连接，适合阀门的设备与管道的连接，在连接的同时补偿管道的轴向位移及一定量的挠曲和偏心，保护阀门等设备。

It adopts the same leak tightness principle with the cover lapped compensation joint. The connecting method is, one end is flange connection and the other is socket connection, It is suitable for connecting pipes to equipments such as valves. It can compensate a scope of axial displacement, flexing and decentration while connecting steel pipes, so that it can protect equipments such as valves. Socket end is also suitable for connecting steel pipes, cast iron pipes, ductile iron pipes, etc.



主要性能参数 Main parameters

| 公称通径 DN | 65 ~ 250 | 300 ~ 700 | 800 ~ 2400 | 2600 ~ 4000 |
|------------------------------|----------|-----------|------------|-------------|
| 管子插入长度 L0 Pipe Insert Length | 65 | 80 | 130 | 140 |
| 伸缩量 e (mm) Expansion Scope | ±25 | ±32.5 | ±65 | ±70 |
| 可挠量 Flexible Extent | 2 | | | |
| 偏心率(mm) Decentration Extent | 2 | 3 | 4 | 5 |

PN0.25、0.6、1.0MPa AF型法兰松套补偿接头基本尺寸

Basic dimensions for PN0.25, 0.6, 1.0MPa Type-AF Flanged Lapped Compensation Joint

| 公称通径 DN | 65 | 80 | 100 | 125 | 150 | 200 | 250 | 300 | 350 | | | | |
|--|---------|-------|-------|-------|-------|--------|--------|--------|--------|-----|-----|-----|-----|
| 管子外径 Pipe OD DW | 76 | 89 | 108 | 114 | 133 | 140 | 159 | 168 | 219 | 273 | 325 | 355 | 377 |
| 长度 Length | L1 | 105 | | | | | | | | 130 | | | |
| | L | 118 | | 123 | | 130 | | 160 | | | | | |
| 法兰连接尺寸 Flange Connection Dimensions | 0.25MPa | D | 160 | 190 | 210 | 240 | 265 | 320 | 375 | 440 | 490 | | |
| | | K | 130 | 150 | 170 | 200 | 225 | 280 | 335 | 395 | 445 | | |
| | | n-d0 | 4-φ14 | 4-φ18 | 8-φ18 | | 12-φ18 | | 12-φ23 | | | | |
| | 0.6MPa | D | 160 | 190 | 210 | 240 | 265 | 320 | 375 | 440 | 490 | | |
| | | K | 130 | 150 | 170 | 200 | 225 | 280 | 335 | 395 | 445 | | |
| | | n-d0 | 4-φ14 | 4-φ18 | 8-φ18 | | 12-φ18 | | 12-φ23 | | | | |
| 1.0MPa | D | 185 | 200 | 220 | 250 | 285 | 340 | 395 | 445 | 505 | | | |
| | K | 145 | 160 | 180 | 210 | 240 | 295 | 350 | 400 | 460 | | | |
| | n-d0 | 4-φ18 | 8-φ18 | 8-φ23 | | 12-φ23 | | 16-φ23 | | | | | |

| 公称通径 DN | 400 | 450 | 500 | 600 | 700 | 800 | 900 | 1000 | 1200 | | | | |
|--|---------|--------|--------|--------|-----|--------|--------|--------|--------|--------|------|------|------|
| 管子外径 Pipe OD DW | 406 | 426 | 457 | 480 | 508 | 530 | 610 | 630 | 720 | 820 | 920 | 1020 | 1220 |
| 长度 Length | L1 | 130 | | | | | | | | 220 | | | |
| | L | 160 | | | | | | | | 255 | | | |
| 法兰连接尺寸 Flange Connection Dimensions | 0.25MPa | D | 540 | 595 | 645 | 755 | 860 | 975 | 1075 | 1175 | 1375 | | |
| | | K | 495 | 550 | 600 | 705 | 810 | 920 | 1020 | 1120 | 1320 | | |
| | | n-d0 | 16-φ23 | 20-φ23 | | 20-φ27 | 24-φ27 | 24-φ30 | 28-φ30 | 32-φ30 | | | |
| | 0.6MPa | D | 540 | 595 | 645 | 755 | 860 | 975 | 1075 | 1175 | 1405 | | |
| | | K | 495 | 550 | 600 | 705 | 810 | 920 | 1020 | 1120 | 1340 | | |
| | | n-d0 | 16-φ23 | 20-φ23 | | 20-φ27 | 24-φ27 | 24-φ30 | 28-φ30 | 32-φ33 | | | |
| 1.0MPa | D | 585 | 615 | 670 | 780 | 895 | 1015 | 1115 | 1230 | 1455 | | | |
| | K | 515 | 565 | 620 | 725 | 840 | 950 | 1050 | 1160 | 1380 | | | |
| | n-d0 | 16-φ27 | 20-φ27 | 20-φ30 | | 24-φ30 | 24-φ33 | 28-φ33 | 28-φ36 | 32-φ39 | | | |



□ PN0.25、0.6、1.0MPa AF型法兰松套补偿接头基本尺寸

Basic dimensions for PN0.25, 0.6, 1.0MPa Type-AF Flanged Lapped Compensation Joint

| | | | | | | | | | | | | | | | | |
|--|---------|------|--------|--------|--------|--------|--------|--------|--------|--------|--------|--------|--------|--------|--------|--------|
| 公称通径 DN | | 1400 | 1600 | 1800 | 2000 | 2200 | 2400 | 2600 | 2800 | 3000 | 3200 | 3400 | 3600 | 3800 | 4000 | |
| 管子外径 Pipe OD DW | | 1420 | 1620 | 1820 | 2020 | 2220 | 2420 | 2620 | 2820 | 3020 | 3220 | 3420 | 3620 | 3820 | 4020 | |
| 长度 Length | L1 | 220 | | | | | | 240 | | | | | | | | |
| | L | 270 | | | | | | 275 | | | 300 | | | | | |
| 法兰连接尺寸 Flange Connection Dimensions | 0.25MPa | D | 1575 | 1790 | 1990 | 2190 | 2405 | 2605 | 2805 | 3030 | 3230 | 3430 | 3630 | 3840 | 4045 | 4245 |
| | | K | 1520 | 1730 | 1930 | 2130 | 2340 | 2540 | 2740 | 2960 | 3160 | 3360 | 3560 | 3770 | 3970 | 4170 |
| | | n-d | 36-φ30 | 40-φ30 | 44-φ30 | 48-φ30 | 52-φ33 | 56-φ33 | 60-φ33 | 64-φ36 | 68-φ36 | 72-φ36 | 76-φ36 | 80-φ36 | 80-φ40 | 84-φ40 |
| 法兰连接尺寸 Flange Connection Dimensions | 0.6MPa | D | 1630 | 1830 | 2045 | 2265 | 2475 | 2685 | 2905 | 3115 | 3315 | 3525 | 3735 | 3970 | | |
| | | K | 1560 | 1760 | 1970 | 2180 | 2390 | 2600 | 2810 | 3020 | 3220 | 3430 | 3640 | 3860 | | |
| | | n-d | 36-φ36 | 40-φ36 | 44-φ39 | 48-φ42 | 52-φ42 | 56-φ42 | 60-φ48 | 64-φ48 | 68-φ48 | 72-φ48 | 76-φ48 | 80-φ56 | | |
| 法兰连接尺寸 Flange Connection Dimensions | 1.0MPa | D | 1675 | 1915 | 2115 | 2325 | 2550 | 2760 | 2960 | 3190 | 3405 | 3610 | 3815 | 4020 | | |
| | | K | 1590 | 1820 | 2020 | 2230 | 2440 | 2650 | 2850 | 3070 | 3290 | 3495 | 3700 | 3905 | | |
| | | n-d | 36-φ42 | 40-φ48 | 44-φ48 | 48-φ48 | 52-φ56 | 56-φ56 | 60-φ56 | 64-φ56 | 68-φ60 | 72-φ62 | 76-φ62 | 80-φ62 | | |

□ PN1.6、2.5、4.0MPa AF型法兰松套补偿接头基本尺寸

Basic dimensions for PN1.6, 2.5, 4.0MPa Type-AF Flanged Lapped Compensation Joint

| | | | | | | | | | | | | | | | | | | |
|--|--------|-----|-------|-------|-------|--------|--------|--------|--------|--------|--------|-----|-----|-----|-----|-----|-----|-----|
| 公称通径 DN | | 65 | 80 | 100 | 125 | 150 | 200 | 250 | 300 | 350 | 400 | 450 | | | | | | |
| 管子外径 Pipe OD DW | | 76 | 89 | 108 | 114 | 133 | 140 | 159 | 168 | 219 | 273 | 325 | 355 | 377 | 406 | 426 | 457 | 480 |
| 长度 Length | L1 | 105 | | | | | | | | | 130 | | | | | | | |
| | L | 118 | | | 123 | | | 130 | | | 160 | | | | | | | |
| 法兰连接尺寸 Flange Connection Dimensions | 1.6MPa | D | 185 | 200 | 220 | 250 | 285 | 340 | 405 | 460 | 520 | 580 | 640 | | | | | |
| | | K | 145 | 160 | 180 | 210 | 240 | 295 | 355 | 410 | 470 | 525 | 585 | | | | | |
| | | n-d | 4-φ18 | 6-φ18 | 8-φ18 | 8-φ23 | 12-φ23 | 12-φ27 | 16-φ27 | 16-φ30 | 20-φ30 | | | | | | | |
| 法兰连接尺寸 Flange Connection Dimensions | 2.5MPa | D | 185 | 200 | 235 | 270 | 300 | 360 | 425 | 485 | 555 | 620 | 670 | | | | | |
| | | K | 145 | 160 | 190 | 220 | 250 | 310 | 370 | 430 | 490 | 550 | 600 | | | | | |
| | | n-d | 8-φ18 | 8-φ23 | 8-φ27 | 12-φ27 | 12-φ30 | 16-φ30 | 16-φ33 | 16-φ36 | 20-φ36 | | | | | | | |
| 法兰连接尺寸 Flange Connection Dimensions | 4.0MPa | D | 185 | 200 | 235 | 270 | 300 | 375 | 450 | 515 | 580 | 660 | 685 | | | | | |
| | | K | 145 | 160 | 190 | 220 | 250 | 320 | 385 | 450 | 510 | 585 | 610 | | | | | |
| | | n-d | 8-φ18 | 8-φ23 | 8-φ27 | 12-φ30 | 12-φ33 | 16-φ33 | 16-φ36 | 16-φ39 | 20-φ39 | | | | | | | |

| | | | | | | | | | | | | | | |
|--|--------|-----|--------|--------|--------|--------|--------|--------|--------|--------|--------|--------|--------|------|
| 公称通径 DN | | 500 | 600 | 700 | 800 | 900 | 1000 | 1200 | 1400 | 1600 | 1800 | 2000 | | |
| 管子外径 Pipe OD DW | | 508 | 530 | 610 | 630 | 720 | 820 | 920 | 1020 | 1220 | 1420 | 1620 | 1820 | 2020 |
| 长度 Length | L1 | 130 | | | | | | 220 | | | | | | |
| | L | 160 | | | | | | 255 | | | 275 | | | |
| 法兰连接尺寸 Flange Connection Dimensions | 1.6MPa | D | 715 | 840 | 910 | 1025 | 1125 | 1255 | 1485 | 1685 | 1930 | 2130 | 2345 | |
| | | K | 650 | 770 | 840 | 950 | 1050 | 1170 | 1390 | 1590 | 1820 | 2020 | 2230 | |
| | | n-d | 20-φ33 | 20-φ36 | 24-φ36 | 24-φ39 | 28-φ39 | 28-φ42 | 32-φ48 | 36-φ48 | 40-φ56 | 44-φ56 | 48-φ62 | |
| 法兰连接尺寸 Flange Connection Dimensions | 2.5MPa | D | 730 | 845 | 960 | 1085 | 1185 | 1320 | 1530 | 1755 | 1975 | 2195 | 2425 | |
| | | K | 660 | 770 | 875 | 990 | 1090 | 1210 | 1420 | 1640 | 1860 | 2070 | 2300 | |
| | | n-d | 20-φ36 | 20-φ39 | 24-φ42 | 24-φ48 | 28-φ48 | 28-φ56 | 32-φ56 | 36-φ62 | 40-φ62 | 44-φ70 | 48-φ70 | |
| 法兰连接尺寸 Flange Connection Dimensions | 4.0MPa | D | 755 | 890 | | | | | | | | | | |
| | | K | 670 | 795 | | | | | | | | | | |
| | | n-d | 20-φ42 | 20-φ48 | | | | | | | | | | |

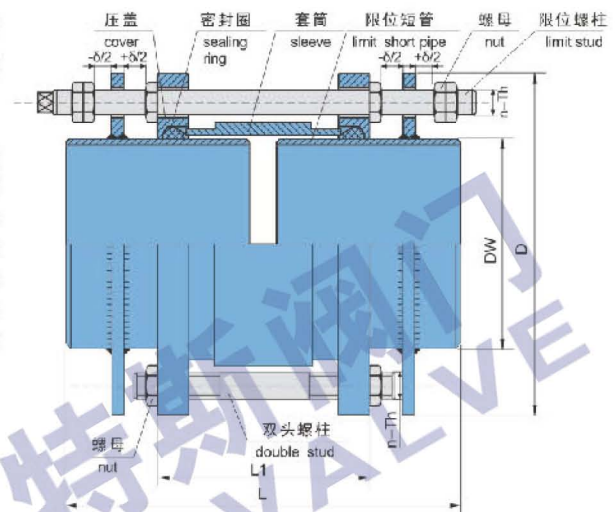
BY型压盖松套限位补偿接头

TYPE-BY COVER LAPPED LIMIT COMPENSATION JOINT

□ 性能特点 Features

在AY型压盖松套补偿接头上增设限位伸缩管及限位螺柱，用双螺母锁定最大伸缩量处，从而使管道可以在允许的伸缩范围内自由伸缩，一旦达到最大拉伸量后，限位螺柱将挡住限位法兰，防止限位伸缩管从本体中拉脱形成泄漏，适用于架空或有倾斜角度的管线连接。

Type-BY Cover Lapped Limit Compensation Joint is made by adding limit expansion pipe and limit bolts to AY type of cover lapped limit compensation joint, the expansion limit part is locked by double nuts, so that it can make sure that the pipe can move freely in limit scope. Once the expansion reaches the limit, the limit flange will be blocked off by the limit nuts to prevent the expansion pipe from being dragged off the connector body and avoid leakage. This type of compensated joint is suitable for connecting pipes that are lean or without supports.



□ 主要性能参数 Main parameters

| | | | | |
|------------------------------|--------|---------|----------|-----------|
| 公称口径 DN | 65~250 | 300~700 | 800~3000 | 3200~4000 |
| 伸缩量δ (mm) Expansion Scope | ±45 | ±55 | ±75 | ±130 |
| 可挠量 Flexible Extent | 2 | | | |
| 偏心量 (mm) Decentration Extent | 2 | 3 | 4 | 5 |

□ BY型压盖松套限位补偿接头基本尺寸

Main Dimensions for Type-BY Cover Lapped Limit Compensation Joint

| | | | | | | | | | | | | | | | | | | | |
|------------------------------|--------|------------------|-------|-----|-------|-----|-------|-----|-------|-----|-------|-----|-------|-----|-------|-----|-------|-----|-----|
| 公称口径 DN | 65 | 80 | 100 | 125 | 150 | 200 | 250 | 300 | 350 | 400 | 450 | 500 | 600 | 700 | 800 | | | | |
| 管子外径 Pipe OD DW | 76 | 89 | 108 | 114 | 133 | 140 | 159 | 168 | 219 | 273 | 325 | 377 | 426 | 480 | 530 | 630 | 720 | 820 | |
| 外形尺寸 Out Dimension | D | 155 | 165 | 190 | 195 | 215 | 225 | 245 | 255 | 310 | 375 | 440 | 490 | 540 | 590 | 645 | 750 | 850 | 965 |
| | L | 645 | | | | | | | | | | | 655 | | | | 1075 | | |
| | L1 | 180 | | | | | | | | | | | 220 | | | | 290 | | |
| 伸缩量δ (mm) Expansion Scope | ±45 | | | | | | | | | | | ±55 | | | | ±75 | | | |
| | n-Th | 0.6-1.6MPa 2-M12 | | | | | 2-M16 | | 3-M20 | | 4-M20 | | 5-M20 | | 6-M20 | | 6-M24 | | |
| | 2.5MPa | | 2-M12 | | 2-M16 | | 3-M16 | | 4-M20 | | 5-M20 | | 6-M20 | | 7-M20 | | 8-M24 | | |

| | | | | | | | | | | | | | | | | | | | | | | | | | | | | | | | | |
|------------------------------|--------|------------------|-------|-------|--------|-------|--------|--------|--------|--------|--------|--------|--------|--------|------|--------|------|--------|------|--------|--|--------|--|--------|--|--------|--|--------|--|--------|--|--------|
| 公称口径 DN | 900 | 1000 | 1200 | 1400 | 1500 | 1600 | 1800 | 2000 | 2200 | 2400 | 2600 | 2800 | 3000 | 3200 | 3400 | 3600 | 3800 | 4000 | | | | | | | | | | | | | | |
| 管子外径 Pipe OD DW | 920 | 1020 | 1220 | 1420 | 1520 | 1620 | 1820 | 2020 | 2220 | 2420 | 2620 | 2820 | 3020 | 3220 | 3420 | 3620 | 3820 | 4020 | | | | | | | | | | | | | | |
| 外形尺寸 Out Dimension | D | 1065 | 1165 | 1365 | 1590 | 1690 | 1795 | 2000 | 2200 | 2420 | 2635 | 2835 | 3040 | 3240 | 3440 | 3640 | 3860 | 4080 | 4300 | | | | | | | | | | | | | |
| | L | 1075 | | | | | | | | | | | | 1130 | | | | | | | | | | | | | | | | | | |
| | L1 | 290 | | | | | | | | | | 300 | | 320 | | 430 | | | | | | | | | | | | | | | | |
| 伸缩量δ (mm) Expansion Scope | ±75 | | | | | | | | | | | | | ±130 | | | | | | | | | | | | | | | | | | |
| | n-Th | 0.6-1.6MPa 7-M24 | | 8-M24 | | 9-M27 | | 10-M27 | | 11-M27 | | 12-M27 | | 13-M30 | | 14-M30 | | 15-M30 | | 16-M33 | | 17-M33 | | 18-M33 | | 19-M33 | | 20-M33 | | 20-M36 | | 21-M36 |
| | 2.5MPa | | 9-M24 | | 10-M24 | | 12-M27 | | 14-M27 | | 15-M30 | | 16-M30 | | | | | | | | | | | | | | | | | | | |

注: DN≤700, 工作压力不大于1.6MPa限位采用拉耳的形式, 设计压力大于2.5MPa的补偿接头亦可选用, 但需根据实际工况另行设计。

Note: The limit compensation joint (DN≤700, working pressure≤1.6MPa) adopts the form of double-lug. Compensation joint (design pressure>2.5MPa) can also be selected, but it's necessary to design as per actual working condition.



BF型法兰松套限位补偿接头

TYPE-BF COVER LAPPED LIMIT COMPENSTAION JOINT

性能特点 Features

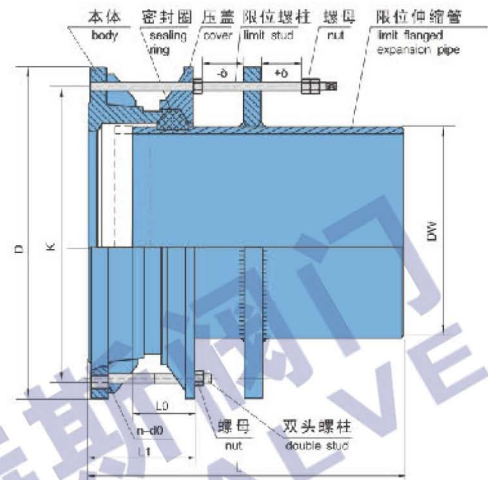
在AF型法兰松套补偿接头基础上增设限位伸缩管及限位螺柱，用双螺母锁定最大伸缩量处，补偿因热胀冷缩和地基沉降引起的管线轴向位移及挠曲和偏心，从而保护阀门等设备，根据连接方式的不同分为单法兰松套限位补偿接头和双法兰松套限位补偿接头。

Flanged Lapped Limit Compensation Joint is made by adding limit expansion pipe and bolts to AF type of Flanged loose compensated connector, the expansion limit part is locket by double nuts. It compensates axial displacement, flexing and decenration caused by heat expansion, cold shrinkage and foundation settlement, so as to protect equipments such as valves. It can be divided into single-flanged lapped limit compensation joint and double flanged lapped limit compensation joint according to connection type.

BF型单法兰松套限位补偿接头主要性能参数

Type-BF single-flanged lapped limit compensation joint

| | | | | |
|------------------------------|--------|---------|----------|-----------|
| 公称通径 DN | 65~250 | 300~700 | 800~2400 | 2800~3800 |
| 管子插入长度 L0 Pipe Insert Length | 65 | 80 | 130 | 140 |
| 伸缩量δ (mm) Expansion Scope | ±25 | ±32.5 | ±65 | ±70 |



PN0.6、1.0MPa BF型单法兰松套限位补偿接头基本尺寸

Basic dimensions for PN0.6, 1.0MPa Type-BF Single-flanged lapped limit compensation joint

| | | | | | | | | | | | |
|-------------------------------------|--------|-------|-------|-------|-----|-------|-----|--------|--------|-----|--|
| 公称通径 DN | 65 | 80 | 100 | 125 | 150 | 200 | 250 | | | | |
| 管子外径 Pipe OD DW | 76 | 89 | 108 | 114 | 133 | 140 | 159 | 168 | 219 | 273 | |
| 长度 Length | L1 | 340 | | | | | | | | | |
| | L | 105 | | | | | | | | | |
| 伸缩量δ (mm) Expansion Scope | ±25 | | | | | | | | | | |
| 法兰连接尺寸 Flange Connection Dimensions | 0.6MPa | D | 160 | 190 | 210 | 240 | 265 | 320 | 375 | | |
| | | K | 130 | 150 | 170 | 200 | 225 | 280 | 335 | | |
| | | n-d0 | 4-φ14 | 4-φ18 | | 8-φ18 | | | 12-φ18 | | |
| 1.0MPa | D | 185 | 200 | 220 | 250 | 285 | 340 | 395 | | | |
| | K | 145 | 160 | 180 | 210 | 240 | 295 | 350 | | | |
| | n-d0 | 4-φ18 | 8-φ18 | | | 8-φ23 | | 12-φ23 | | | |

| | | | | | | | | | | | | | |
|-------------------------------------|--------|--------|--------|--------|--------|-----|--------|--------|--------|--------|--------|--------|--------|
| 公称通径 DN | 300 | 350 | 400 | 450 | 500 | 600 | 700 | 800 | 900 | 1000 | 1200 | | |
| 管子外径 Pipe OD DW | 325 | 377 | 426 | 480 | 530 | 630 | 720 | 820 | 920 | 1020 | 1220 | | |
| 长度 Length | L1 | 350 | | | | | | 590 | | | | | |
| | L | 130 | | | | | | 220 | | | | | |
| 伸缩量δ (mm) Expansion Scope | ±32.5 | | | | | | ±65 | | | | | | |
| 法兰连接尺寸 Flange Connection Dimensions | 0.6MPa | D | 440 | 490 | 540 | 595 | 645 | 755 | 860 | 975 | 1075 | 1175 | 1405 |
| | | K | 395 | 445 | 495 | 550 | 600 | 705 | 810 | 920 | 1020 | 1120 | 1340 |
| | | n-d0 | 12-φ23 | | 16-φ23 | | 20-φ23 | 20-φ27 | 24-φ27 | 24-φ30 | | 28-φ30 | 32-φ33 |
| 1.0MPa | D | 445 | 505 | 565 | 615 | 670 | 780 | 895 | 1015 | 1115 | 1230 | 1455 | |
| | K | 400 | 460 | 515 | 585 | 620 | 725 | 840 | 950 | 1050 | 1160 | 1380 | |
| | n-d0 | 12-φ23 | 16-φ23 | 16-φ27 | 20-φ27 | | 20-φ30 | 24-φ30 | 24-φ33 | 28-φ33 | 28-φ36 | 32-φ39 | |

□ PN0.6、1.0MPa BF型单法兰松套限位补偿接头基本尺寸

Basic dimensions for PN0.6, 1.0MPa Type-BF Single-flanged lapped limit compensation joint

| | | | | | | | | | | | | | | |
|---|--------|------|--------|--------|--------|--------|--------|--------|--------|--------|--------|--------|--------|--------|
| 公称直径 DN | | 1400 | 1600 | 1800 | 2000 | 2200 | 2400 | 2600 | 2800 | 3000 | 3200 | 3400 | 3600 | |
| 管子外径 Pipe OD DW | | 1420 | 1620 | 1820 | 2020 | 2220 | 2420 | 2620 | 2820 | 3020 | 3220 | 3420 | 3620 | |
| 长度 Length | L1 | 590 | | | | | | 600 | | | | | | |
| | L | 220 | | | | | | 240 | | | | | | |
| 伸缩量 δ (mm) Expansion Scope | | ±65 | | | | | | ±70 | | | | | | |
| 法兰连接尺寸 Flange Connection Dimensions | 0.6MPa | D | 1630 | 1830 | 2045 | 2265 | 2475 | 2685 | 2905 | 3115 | 3315 | 3525 | 3735 | 3970 |
| | | K | 1560 | 1760 | 1970 | 2180 | 2390 | 2600 | 2810 | 3020 | 3220 | 3430 | 3640 | 3860 |
| | | n-d0 | 36-φ36 | 40-φ36 | 44-φ39 | 48-φ42 | 52-φ42 | 56-φ42 | 60-φ48 | 64-φ48 | 68-φ48 | 72-φ48 | 76-φ48 | 80-φ56 |
| | 1.0MPa | D | 1675 | 1915 | 2115 | 2325 | 2550 | 2760 | 2960 | 3180 | 3405 | 3610 | 3815 | 4020 |
| | | K | 1580 | 1820 | 2020 | 2230 | 2440 | 2650 | 2850 | 3070 | 3290 | 3495 | 3700 | 3905 |
| | | n-d0 | 36-φ42 | 40-φ48 | 44-φ48 | 48-φ48 | 52-φ56 | 56-φ56 | 60-φ56 | 64-φ56 | 68-φ60 | 72-φ62 | 76-φ62 | 80-φ62 |

□ PN1.6、2.5MPa BF型单法兰松套限位补偿接头的基本尺寸

Basic dimensions for PN1.6, 2.5MPa Type-BF Single-flanged lapped limit compensation joint

| | | | | | | | | | | | | | | |
|---|--------|------|-------|-------|-------|-------|-------|--------|--------|--------|--------|--------|-----|-----|
| 公称直径 DN | | 65 | 80 | 100 | 125 | 150 | 200 | 250 | 300 | 350 | 400 | | | |
| 管子外径 Pipe OD DW | | 76 | 89 | 108 | 114 | 133 | 140 | 159 | 168 | 219 | 273 | 325 | 377 | 426 |
| 长度 Length | L1 | 340 | | | | | | | | 350 | | | | |
| | L | 105 | | | | | | | | 130 | | | | |
| 伸缩量 δ (mm) Expansion Scope | | ±25 | | | | | | | | ±32.5 | | | | |
| 法兰连接尺寸 Flange Connection Dimensions | 1.6MPa | D | 185 | 200 | 220 | 250 | 285 | 340 | 405 | 460 | 520 | 580 | | |
| | | K | 145 | 160 | 180 | 210 | 240 | 295 | 355 | 410 | 470 | 525 | | |
| | | n-d0 | 4-φ18 | 8-φ18 | | | 8-φ23 | 12-φ23 | 12-φ27 | | 16-φ27 | 16-φ30 | | |
| | 2.5MPa | D | 185 | 200 | 235 | 270 | 300 | 360 | 425 | 485 | 555 | 620 | | |
| | | K | 145 | 160 | 190 | 220 | 250 | 310 | 370 | 430 | 490 | 550 | | |
| | | n-d0 | 8-φ18 | | 8-φ23 | 8-φ27 | | 12-φ27 | 12-φ30 | 16-φ30 | 16-φ33 | 16-φ36 | | |

| | | | | | | | | | | | | | | |
|---|--------|-------|--------|--------|--------|--------|--------|--------|--------|--------|--------|--------|--------|--------|
| 公称直径 DN | | 450 | 500 | 600 | 700 | 800 | 900 | 1000 | 1200 | 1400 | 1600 | 1800 | 2000 | |
| 管子外径 Pipe OD DW | | 480 | 530 | 630 | 720 | 820 | 920 | 1020 | 1220 | 1420 | 1620 | 1820 | 2020 | |
| 长度 Length | L1 | 350 | | | | 590 | | | | | | | | |
| | L | 130 | | | | 220 | | | | | | | | |
| 伸缩量 δ (mm) Expansion Scope | | ±32.5 | | | | ±65 | | | | | | | | |
| 法兰连接尺寸 Flange Connection Dimensions | 1.6MPa | D | 640 | 715 | 840 | 910 | 1025 | 1125 | 1255 | 1485 | 1685 | 1930 | 2130 | 2345 |
| | | K | 585 | 650 | 770 | 840 | 950 | 1050 | 1170 | 1390 | 1590 | 1820 | 2020 | 2230 |
| | | n-d0 | 20-φ30 | 20-φ33 | 20-φ36 | 24-φ36 | 24-φ39 | 28-φ39 | 28-φ42 | 32-φ48 | 36-φ48 | 40-φ56 | 44-φ56 | 48-φ62 |
| | 2.5MPa | D | 670 | 730 | 845 | 960 | 1085 | 1185 | 1320 | 1530 | 1755 | 1975 | 2195 | 2425 |
| | | K | 600 | 660 | 770 | 875 | 990 | 1090 | 1210 | 1420 | 1640 | 1860 | 2070 | 2300 |
| | | n-d0 | 20-φ36 | | 20-φ39 | 24-φ42 | 24-φ48 | 28-φ48 | 28-φ56 | 32-φ56 | 36-φ62 | 40-φ62 | 44-φ70 | 48-φ70 |



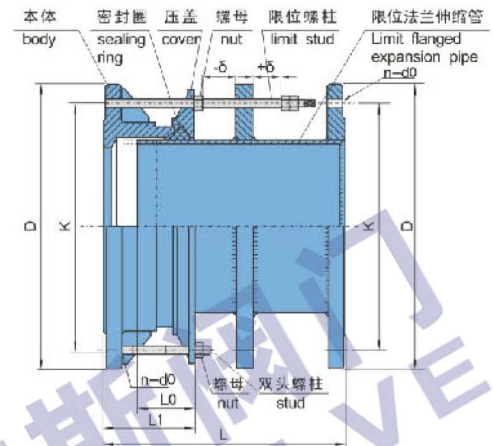
B2F型法兰松套限位补偿接头

TYPE-B2F COVER LAPPED LIMIT COMPENSTAION JOINT

性能特点 Features

在AF型法兰松套补偿接头基础上增设限位伸缩管及限位螺柱，用双螺母锁定最大伸缩量处，补偿因热胀冷缩和地基沉降引起的管线轴向位移及挠曲和偏心，从而保护阀门等设备，根据连接方式的不同分为单法兰松套限位补偿接头和双法兰松套限位补偿接头。

Flanged Lapped Limit Compensation Joint is made by adding limit expansion pipe and bolts to AF type of Flanged loose compensated connector, the expansion limit part is locked by double nuts. It compensates axial displacement, flexing and decentration caused by heat expansion, cold shrinkage and foundation settlement, so as to protect equipments such as valves. It can be divided into single-flanged lapped limit compensation joint and double flanged lapped limit compensation joint according to connection type.



B2F型双法兰松套限位补偿接头主要性能参数

Type-B2F Double-flanged lapped limit compensation joint

| | | | | |
|------------------------------|--------|---------|----------|-----------|
| 公称通径 DN | 65~250 | 300~700 | 800~2400 | 2600~3600 |
| 管子插入长度 L0 Pipe Insert Length | 85 | 80 | 130 | 140 |
| 伸缩量δ (mm) Expansion Scope | ±25 | ±32.5 | ±65 | ±70 |

PN0.6、1.0MPa B2F型双法兰松套限位补偿接头基本尺寸

Basic dimensions for PN0.6, 1.0MPa Type-B2F Double-flanged lapped limit compensation joint

| | | | | | | | | | | | | | |
|-------------------------------------|--------|-------|-------|-------|-----|--------|--------|--------|--------|--------|-----|-----|-----|
| 公称通径 DN | 65 | 80 | 100 | 125 | 150 | 200 | 250 | 300 | 350 | 400 | | | |
| 管子外径 Pipe OD DW | 76 | 89 | 108 | 114 | 133 | 140 | 169 | 168 | 219 | 273 | 325 | 377 | 426 |
| 长度 Length | L1 | 340 | | | | | | | | 370 | | | |
| | L | 105 | | | | | | | | 130 | | | |
| 伸缩量δ (mm) Expansion Scope | ±25 | | | | | | | | ±32.5 | | | | |
| 法兰连接尺寸 Flange Connection Dimensions | 0.6MPa | D | 160 | 190 | 210 | 240 | 265 | 320 | 375 | 440 | 490 | 540 | |
| | | K | 130 | 150 | 170 | 200 | 225 | 280 | 335 | 395 | 445 | 495 | |
| | n-d0 | 4-φ14 | 4-φ18 | 8-φ18 | | | 12-φ18 | | 12-φ23 | 16-φ23 | | | |
| | 1.0MPa | D | 185 | 200 | 220 | 250 | 285 | 340 | 395 | 445 | 505 | 585 | |
| K | | 145 | 160 | 180 | 210 | 240 | 295 | 350 | 400 | 460 | 515 | | |
| n-d0 | 4-φ18 | 8-φ18 | 8-φ23 | | | 12-φ23 | | 16-φ23 | 16-φ27 | | | | |

| | | | | | | | | | | | | |
|-------------------------------------|--------|--------|--------|--------|--------|--------|--------|--------|--------|--------|--------|------|
| 公称通径 DN | 450 | 500 | 600 | 700 | 800 | 900 | 1000 | 1200 | 1400 | 1600 | | |
| 管子外径 Pipe OD DW | 480 | 530 | 630 | 720 | 820 | 920 | 1020 | 1220 | 1420 | 1620 | | |
| 长度 Length | L1 | 370 | | | | | | | 600 | | 640 | |
| | L | 130 | | | | | | | 220 | | | |
| 伸缩量δ (mm) Expansion Scope | ±32.5 | | | | | | | ±65 | | | | |
| 法兰连接尺寸 Flange Connection Dimensions | 0.6MPa | D | 595 | 645 | 755 | 860 | 975 | 1075 | 1175 | 1405 | 1630 | 1830 |
| | | K | 550 | 600 | 705 | 810 | 920 | 1020 | 1120 | 1340 | 1560 | 1760 |
| | n-d0 | 16-φ23 | 20-φ23 | 20-φ27 | 24-φ27 | 24-φ30 | 28-φ30 | | 32-φ33 | 36-φ36 | 40-φ36 | |
| | 1.0MPa | D | 615 | 670 | 780 | 895 | 1015 | 1115 | 1230 | 1455 | 1675 | 1915 |
| K | | 585 | 620 | 725 | 840 | 950 | 1050 | 1160 | 1380 | 1590 | 1820 | |
| n-d0 | 20-φ27 | 20-φ30 | 24-φ30 | 24-φ33 | 28-φ33 | 28-φ36 | 32-φ39 | 36-φ42 | 40-φ48 | | | |

□ PN0.6、1.0MPa B2F型双法兰松套限位补偿接头基本尺寸

Basic dimensions for PN0.6, 1.0MPa Type-B2F Double-flanged lapped limit compensation joint

| | | | | | | | | | | | | |
|---|--------|------|--------|--------|--------|--------|--------|--------|--------|--------|--------|--------|
| 公称直径 DN | | 1800 | 2000 | 2200 | 2400 | 2600 | 2800 | 3000 | 3200 | 3400 | 3600 | |
| 管子外径 Pipe OD DW | | 1820 | 2020 | 2220 | 2420 | 2620 | 2820 | 3020 | 3220 | 3420 | 3620 | |
| 长度 Length | L1 | 640 | | | | | 710 | | | | | |
| | L | 220 | | | | | 240 | | | | | |
| 伸缩量 δ (mm) Expansion Scope | | ±65 | | | | | ±70 | | | | | |
| 法兰连接尺寸 Flange Connection Dimensions | 0.6MPa | D | 2045 | 2265 | 2475 | 2685 | 2905 | 3115 | 3315 | 3525 | 3735 | 3970 |
| | | K | 1970 | 2180 | 2390 | 2600 | 2810 | 3020 | 3220 | 3430 | 3640 | 3860 |
| | | n-d0 | 44-φ39 | 48-φ42 | 52-φ42 | 56-φ42 | 60-φ48 | 64-φ48 | 68-φ48 | 72-φ48 | 76-φ48 | 80-φ56 |
| | 1.0MPa | D | 2115 | 2325 | 2550 | 2760 | 2980 | 3180 | 3405 | 3610 | 3815 | 4020 |
| | | K | 2020 | 2230 | 2440 | 2650 | 2850 | 3070 | 3290 | 3495 | 3700 | 3805 |
| | | n-d0 | 44-φ48 | 48-φ48 | 52-φ56 | 56-φ56 | 60-φ56 | 64-φ56 | 68-φ60 | 72-φ62 | 76-φ62 | 80-φ62 |

□ PN1.6、2.5MPa B2F型双法兰松套限位补偿接头基本尺寸

Basic dimensions for PN1.6, 2.5MPa Type-B2F Double-flanged lapped limit compensation joint

| | | | | | | | | | | | | | | |
|---|--------|------|-------|-------|-------|-------|-------|--------|--------|--------|--------|--------|-----|-----|
| 公称直径 DN | | 65 | 80 | 100 | 125 | 150 | 200 | 250 | 300 | 350 | 400 | | | |
| 管子外径 Pipe OD DW | | 76 | 89 | 108 | 114 | 133 | 140 | 159 | 168 | 219 | 273 | 325 | 377 | 426 |
| 长度 Length | L1 | 340 | | | | | | | | 370 | | | | |
| | L | 105 | | | | | | | | 130 | | | | |
| 伸缩量 δ (mm) Expansion Scope | | ±25 | | | | | | | | ±32.5 | | | | |
| 法兰连接尺寸 Flange Connection Dimensions | 1.6MPa | D | 185 | 200 | 220 | 250 | 285 | 340 | 405 | 460 | 520 | 580 | | |
| | | K | 145 | 160 | 180 | 210 | 240 | 295 | 355 | 410 | 470 | 525 | | |
| | | n-d0 | 4-φ18 | 8-φ18 | | | 8-φ23 | 12-φ23 | 12-φ27 | | 16-φ27 | 16-φ30 | | |
| | 2.5MPa | D | 185 | 200 | 235 | 270 | 300 | 360 | 425 | 485 | 555 | 620 | | |
| | | K | 145 | 160 | 190 | 220 | 250 | 310 | 370 | 430 | 490 | 550 | | |
| | | n-d0 | 8-φ18 | | 8-φ23 | 8-φ27 | | 12-φ27 | 12-φ30 | 16-φ30 | 16-φ33 | 16-φ36 | | |

| | | | | | | | | | | | | | | |
|---|--------|-------|--------|--------|--------|--------|--------|--------|--------|--------|--------|--------|--------|--------|
| 公称直径 DN | | 450 | 500 | 600 | 700 | 800 | 900 | 1000 | 1200 | 1400 | 1600 | 1800 | 2000 | |
| 管子外径 Pipe OD DW | | 480 | 530 | 630 | 720 | 820 | 920 | 1020 | 1220 | 1420 | 1620 | 1820 | 2020 | |
| 长度 Length | L1 | 370 | | | | | 600 | | | | 640 | | | |
| | L | 130 | | | | | 220 | | | | | | | |
| 伸缩量 δ (mm) Expansion Scope | | ±32.5 | | | | | ±65 | | | | | | | |
| 法兰连接尺寸 Flange Connection Dimensions | 1.6MPa | D | 640 | 715 | 840 | 910 | 1025 | 1125 | 1255 | 1485 | 1685 | 1930 | 2130 | 2345 |
| | | K | 585 | 650 | 770 | 840 | 950 | 1050 | 1170 | 1390 | 1590 | 1820 | 2020 | 2230 |
| | | n-d0 | 20-φ30 | 20-φ33 | 20-φ36 | 24-φ36 | 24-φ39 | 28-φ39 | 28-φ42 | 32-φ48 | 36-φ48 | 40-φ56 | 44-φ56 | 48-φ62 |
| | 2.5MPa | D | 670 | 730 | 845 | 960 | 1085 | 1185 | 1320 | 1530 | 1755 | 1975 | 2195 | 2425 |
| | | K | 600 | 660 | 770 | 875 | 990 | 1090 | 1210 | 1420 | 1640 | 1860 | 2070 | 2300 |
| | | n-d0 | 20-φ36 | | 20-φ39 | 24-φ42 | 24-φ48 | 28-φ48 | 28-φ56 | 32-φ56 | 36-φ62 | 40-φ62 | 44-φ70 | 48-φ70 |



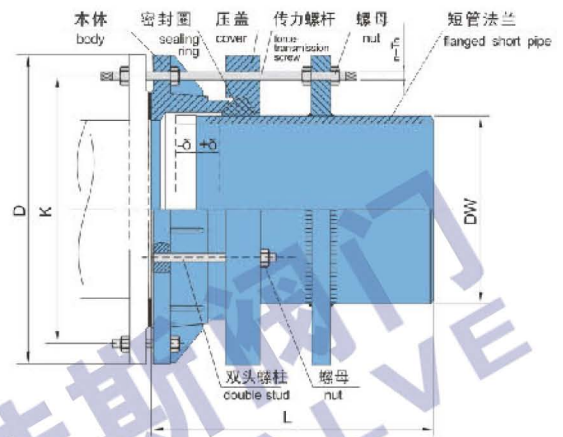
CF型单法兰松套传力补偿接头

TYPE-CF SINGLE-FLANGED LAPPED FORCE TRANSMISSION COMPENSATION JOINT

性能特点 Features

在法兰松套补偿接头的基础上增设法兰短管及传力螺杆，较之松套补偿接头和松套限位补偿接头，不同点在于其补偿量是指在安装及拆卸过程中的调节量，一旦将所有的螺母拧紧，它是刚性连接的，可以传递轴向力，从而保护阀门、泵等设备。

Lapped force-transmission compensation joint is made by adding flanged short pipe and force-transmission screw to flanged loose compensated connector, compared with loose compensated connector and loose limit compensate connector, Its advantage is that its compensate was adjusted during installing and uninstalling. Once all the nuts are fastened are fastened, it is rigid connection, by which it can transfer axial force so as to protect equipments such as valves, pumps.



CF型单法兰松套传力补偿接头基本尺寸

Basic dimensions for Type-CF Single-flanged lapped force transmission compensation joint

| 公称直径 DN | 65 | 80 | 100 | 125 | 150 | 200 | 250 | 300 | 350 | 400 | 450 | 500 | 600 | 700 | | |
|-------------------------------------|-------------------------|-------|-------|-------|-------|-------|-------|-----|-------|-------|--------|--------|--------|--------|--------|--------|
| 管子外径 Pipe OD DW | 76 | 89 | 114 | 140 | 168 | 219 | 273 | 325 | 377 | 426 | 480 | 530 | 630 | 720 | | |
| 外形尺寸 Out Dimension | L1 | 400 | | | | | | | | | | | | | | |
| | L调节量 Δ Adjustment Scope | ±20 | | | | | | | ±25 | | | | | | | |
| 法兰连接尺寸 Flange Connection Dimensions | 0.6MPa | D | 160 | 190 | 210 | 240 | 285 | 320 | 375 | 440 | 490 | 540 | 595 | 645 | 755 | 860 |
| | | K | 130 | 150 | 170 | 200 | 225 | 280 | 335 | 395 | 445 | 495 | 550 | 600 | 705 | 810 |
| | | n-th | 4-M12 | 4-M16 | | | | | 6-M16 | 6-M20 | | 8-M20 | | 10-M20 | 10-M24 | 12-M24 |
| | 1.0MPa | D | 185 | 200 | 220 | 250 | 285 | 340 | 395 | 445 | 505 | 565 | 615 | 670 | 780 | 895 |
| | | K | 145 | 160 | 180 | 210 | 240 | 295 | 350 | 400 | 460 | 515 | 565 | 620 | 725 | 840 |
| | | n-th | 4-M16 | | | 4-M20 | | | 6-M20 | | 8-M20 | 8-M24 | 10-M24 | | 10-M27 | 12-M27 |
| 1.6MPa | D | 185 | 200 | 220 | 250 | 285 | 340 | 405 | 460 | 520 | 580 | 640 | 715 | 840 | 910 | |
| | K | 145 | 160 | 180 | 210 | 240 | 295 | 355 | 410 | 470 | 525 | 585 | 650 | 770 | 840 | |
| | n-th | 4-M16 | | | 4-M20 | 6-M20 | 6-M24 | | 8-M24 | 8-M27 | 10-M27 | 10-M30 | 10-M33 | 12-M33 | | |

| 公称直径 DN | 800 | 900 | 1000 | 1200 | 1400 | 1600 | 1800 | 2000 | 2200 | 2400 | 2600 | 2800 | 3000 | 3200 | | |
|-------------------------------------|-------------------------|--------|--------|--------|--------|--------|--------|--------|--------|--------|--------|--------|--------|--------|--------|--------|
| 管子外径 Pipe OD DW | 820 | 920 | 1020 | 1220 | 1420 | 1620 | 1820 | 2020 | 2220 | 2420 | 2620 | 2820 | 3020 | 3220 | | |
| 外形尺寸 Out Dimension | L1 | 600 | | | | | | | | | | | | | | |
| | L调节量 Δ Adjustment Scope | ±30 | | | | | | | | | | ±40 | | | | |
| 法兰连接尺寸 Flange Connection Dimensions | 0.6MPa | D | 975 | 1075 | 1175 | 1405 | 1630 | 1830 | 2045 | 2265 | 2475 | 2685 | 2905 | 3115 | 3315 | 3525 |
| | | K | 920 | 1020 | 1120 | 1340 | 1560 | 1760 | 1970 | 2180 | 2390 | 2600 | 2810 | 3020 | 3220 | 3430 |
| | | n-th | 12-M27 | 14-M27 | 16-M30 | 18-M33 | 20-M33 | 22-M36 | 24-M39 | 26-M39 | 28-M39 | 30-M45 | 32-M45 | 34-M45 | 36-M45 | |
| | 1.0MPa | D | 1015 | 1115 | 1230 | 1455 | 1675 | 1915 | 2115 | 2325 | 2550 | 2780 | 2980 | 3180 | 3405 | 3610 |
| | | K | 950 | 1050 | 1160 | 1380 | 1590 | 1820 | 2020 | 2230 | 2440 | 2650 | 2850 | 3070 | 3290 | 3495 |
| | | n-th | 12-M30 | 14-M30 | 14-M33 | 16-M36 | 18-M39 | 20-M45 | 22-M45 | 24-M45 | 26-M52 | 28-M52 | 30-M52 | 32-M52 | 34-M56 | 36-M58 |
| 1.6MPa | D | 1025 | 1125 | 1255 | 1485 | 1685 | 1930 | 2130 | 2345 | 2555 | 2765 | 2965 | | | | |
| | K | 950 | 1050 | 1170 | 1390 | 1590 | 1820 | 2020 | 2230 | 2440 | 2650 | 2850 | | | | |
| | n-th | 12-M36 | 14-M36 | 14-M39 | 16-M45 | 18-M45 | 20-M52 | 22-M52 | 24-M56 | 26-M58 | 28-M58 | 30-M58 | | | | |

注: DN>3200, 工作压力大于1.6MPa的传力补偿接头亦可选用。

Note: Force-transmission compensation joint (DN>3200, working pressure>1.6MPa) can also be selected.

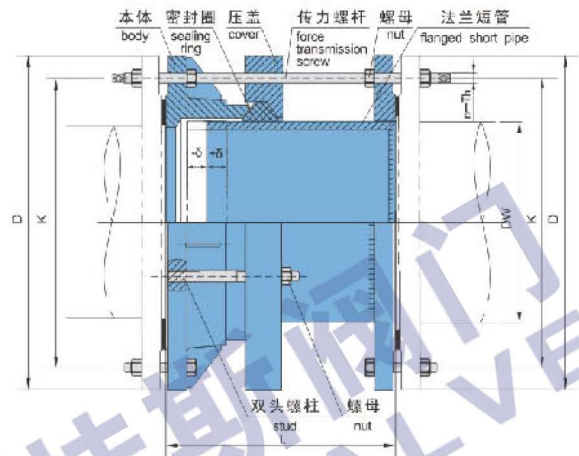
C2F型双法兰松套传力补偿接头

TYPE-C2F DOUBLE-FLANGED LAPPED FORCE TRANSMISSION COMPENSATION JOINT

性能特点 Features

在法兰松套补偿接头的基础上增设法兰短管及传力螺杆，较之松套补偿接头和松套限位补偿接头，不同点在于其补偿量是指在安装及拆卸过程中的调节量，一旦将所有的螺母拧紧，它是刚性连接的，可以传递轴向力，从而保护阀门、泵等设备。

Lapped force-transmission compensation joint is made by adding flanged short pipe and force-transmission screw to flanged loose compensated connector, compared with loose compensated connector and loose limit compensate connector, its advantage is that its compensate was adjusted during installing and uninstalling. Once all the nuts are fastened are fastened, it is rigid connection, by which it can transfer axial force so as to protect equipments such as valves, pumps.



C2F型双法兰松套传力补偿接头基本尺寸

Basic dimensions for TYPE-C2F Double-flanged lapped force transmission compensation joint

| 公称通径 DN | 65 | 80 | 100 | 125 | 150 | 200 | 250 | 300 | 350 | 400 | 450 | 500 | 600 | 700 | | | |
|-------------------------------------|-------------------------|-------|-------|-----|-------|-------|-------|-------|-------|-------|-------|-------|-------|--------|--------|--------|--------|
| 管子外径 Pipe OD DW | 76 | 89 | 114 | 140 | 168 | 219 | 273 | 325 | 377 | 426 | 480 | 530 | 630 | 720 | | | |
| 外形尺寸 Out Dimension | L1 | 200 | | | | | | | | | | | | | | | |
| | L调整量 Δ Adjustment Scope | ±20 | | | | | | | | | | | | | | | |
| 法兰连接尺寸 Flange Connection Dimensions | 0.6MPa | D | 160 | 190 | 210 | 240 | 285 | 320 | 375 | 440 | 490 | 540 | 595 | 645 | 755 | 860 | |
| | | K | 130 | 150 | 170 | 200 | 225 | 280 | 335 | 395 | 445 | 495 | 550 | 600 | 705 | 810 | |
| | 1.0MPa | n-th | 4-M12 | | 4-M16 | | | | 6-M16 | | 6-M20 | | 8-M20 | | 10-M20 | 10-M24 | 12-M24 |
| | | D | 185 | 200 | 220 | 250 | 285 | 340 | 395 | 445 | 505 | 565 | 615 | 670 | 780 | 895 | |
| | 1.6MPa | K | 145 | 160 | 180 | 210 | 240 | 295 | 350 | 400 | 460 | 515 | 565 | 620 | 725 | 840 | |
| | | n-th | 4-M16 | | | | 4-M20 | | 6-M20 | | 8-M20 | | 8-M24 | | 10-M24 | 10-M27 | 12-M27 |
| | D | 185 | 200 | 220 | 250 | 285 | 340 | 405 | 460 | 520 | 580 | 640 | 715 | 840 | 910 | | |
| | K | 145 | 160 | 180 | 210 | 240 | 295 | 355 | 410 | 470 | 525 | 585 | 650 | 770 | 840 | | |
| | n-th | 4-M16 | | | | 4-M20 | | 6-M20 | | 6-M24 | | 8-M24 | 8-M27 | 10-M27 | 10-M30 | 10-M33 | 12-M33 |

| 公称通径 DN | 800 | 900 | 1000 | 1200 | 1400 | 1600 | 1800 | 2000 | 2200 | 2400 | 2600 | 2800 | 3000 | 3200 | | |
|-------------------------------------|-------------------------|--------|--------|--------|--------|--------|--------|--------|--------|--------|--------|--------|--------|--------|--------|--------|
| 管子外径 Pipe OD DW | 820 | 920 | 1020 | 1220 | 1420 | 1620 | 1820 | 2020 | 2220 | 2420 | 2620 | 2820 | 3020 | 3220 | | |
| 外形尺寸 Out Dimension | L1 | 350 | | | | | | | | | | | | | | |
| | L调整量 Δ Adjustment Scope | ±30 | | | | | | | | | | | | | | |
| 法兰连接尺寸 Flange Connection Dimensions | 0.6MPa | D | 975 | 1075 | 1175 | 1405 | 1630 | 1830 | 2045 | 2265 | 2475 | 2685 | 2905 | 3115 | 3315 | 3525 |
| | | K | 920 | 1020 | 1120 | 1340 | 1560 | 1760 | 1970 | 2180 | 2390 | 2600 | 2810 | 3020 | 3220 | 3430 |
| | 1.0MPa | n-th | 12-M27 | | 14-M27 | 16-M30 | 18-M33 | 20-M33 | 22-M36 | 24-M39 | 26-M39 | 28-M39 | 30-M45 | 32-M45 | 34-M45 | 36-M45 |
| | | D | 1015 | 1115 | 1230 | 1455 | 1675 | 1915 | 2115 | 2325 | 2560 | 2760 | 2960 | 3180 | 3405 | 3610 |
| | 1.6MPa | K | 950 | 1050 | 1160 | 1380 | 1590 | 1820 | 2020 | 2230 | 2440 | 2650 | 2850 | 3070 | 3290 | 3495 |
| | | n-th | 12-M30 | 14-M30 | 14-M33 | 16-M36 | 18-M39 | 20-M45 | 22-M45 | 24-M45 | 26-M52 | 28-M52 | 30-M52 | 32-M52 | 34-M56 | 36-M58 |
| | D | 1025 | 1125 | 1255 | 1485 | 1685 | 1930 | 2130 | 2345 | 2555 | 2765 | 2965 | | | | |
| | K | 950 | 1050 | 1170 | 1390 | 1590 | 1820 | 2020 | 2230 | 2440 | 2650 | 2850 | | | | |
| | n-th | 12-M36 | 14-M36 | 14-M39 | 16-M45 | 18-M45 | 20-M52 | 22-M52 | 24-M56 | 26-M58 | 28-M58 | 30-M58 | | | | |

注: DN>3200, 工作压力大于1.6MPa的传力补偿接头亦可选用。

Note: Force-transmission compensation joint (DN>3200, working pressure>1.6MPa) can also be selected.



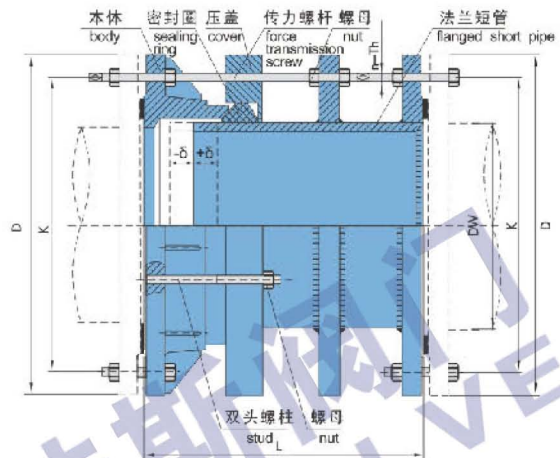
CC2F型可拆双法兰松套传力补偿接头

TYPE-CC2F DEMOUNTABLE DOUBLE-FLANGED LAPPED FORCE TRANSMISSION COMPENSATION JOINT

性能特点 Features

在法兰松套补偿接头的基础上增设法兰短管及传力螺杆，较之松套补偿接头和松套限位补偿接头，不同点在于其补偿量是指在安装及拆卸过程中的调节量，一旦将所有的螺母拧紧，它是刚性连接的，可以传递轴向力，从而保护阀门、泵等设备。

Lapped force-transmission compensation joint is made by adding flanged short pipe and force-transmission screw to flanged loose compensated connector, compared with loose compensated connector and loose limit compensate connector, Its advantage is that Its compensate was adjusted during installing and uninstalling. Once all the nuts are fastened are fastened, it is rigid connection, by which it can transfer axial force so as to protect equipments such as valves, pumps.



CC2F型可拆双法兰松套传力补偿接头基本尺寸

Basic dimensions for Demountable Type-CC2F double-flanged lapped force transmission compensation joint

| 公称直径 DN | 65 | 80 | 100 | 125 | 150 | 200 | 250 | 300 | 350 | 400 | 450 | 500 | 600 | 700 | | |
|--|----------------------------|-------|-------|-------|-------|-------|-------|-------|-------|-------|--------|--------|--------|--------|--------|-----|
| 管子外径 Pipe OD DW | 76 | 89 | 114 | 140 | 168 | 218 | 273 | 326 | 377 | 426 | 480 | 530 | 630 | 720 | | |
| 外形尺寸 Out Dimension | L1 | 400 | | | | | | | | | | 420 | | 440 | | |
| | L调节量 Δ Adjustment Scope | ±20 | | | | | | | | | | ±25 | | | | |
| 法兰连接尺寸 Flange Connection Dimensions | 0.6MPa | D | 160 | 190 | 210 | 240 | 265 | 320 | 375 | 440 | 490 | 540 | 595 | 645 | 755 | 860 |
| | | K | 130 | 150 | 170 | 200 | 225 | 280 | 335 | 395 | 445 | 495 | 550 | 600 | 705 | 810 |
| | | n-th | 4-M12 | 4-M16 | | | | 6-M16 | 6-M20 | | 8-M20 | | 10-M20 | 10-M24 | 12-M24 | |
| | 1.0MPa | D | 185 | 200 | 220 | 250 | 285 | 340 | 395 | 445 | 505 | 565 | 615 | 670 | 780 | 885 |
| | | K | 145 | 160 | 180 | 210 | 240 | 295 | 350 | 400 | 460 | 515 | 565 | 620 | 725 | 840 |
| | | n-th | 4-M16 | | | 4-M20 | | 6-M20 | | 8-M20 | 8-M24 | 10-M24 | | 10-M27 | 12-M27 | |
| 1.6MPa | D | 185 | 200 | 220 | 250 | 285 | 340 | 405 | 480 | 520 | 580 | 640 | 715 | 840 | 910 | |
| | K | 145 | 160 | 180 | 210 | 240 | 295 | 355 | 410 | 470 | 525 | 585 | 650 | 770 | 840 | |
| | n-th | 4-M16 | | | 4-M20 | 6-M20 | 6-M24 | | 8-M24 | 8-M27 | 10-M27 | 10-M30 | 10-M33 | 12-M33 | | |

| 公称直径 DN | 800 | 900 | 1000 | 1200 | 1400 | 1600 | 1800 | 2000 | 2200 | 2400 | 2600 | 2800 | 3000 | 3200 | | | | | | | |
|--|----------------------------|--------|--------|--------|--------|--------|--------|--------|--------|--------|--------|--------|--------|--------|--------|--------|--|-----|--|-----|--|
| 管子外径 Pipe OD DW | 820 | 920 | 1020 | 1220 | 1420 | 1620 | 1820 | 2020 | 2220 | 2420 | 2620 | 2820 | 3020 | 3220 | | | | | | | |
| 外形尺寸 Out Dimension | L1 | 600 | | | | | | | | | | 650 | | 670 | | 700 | | 730 | | 840 | |
| | L调节量 Δ Adjustment Scope | ±30 | | | | | | | | | | | | | | | | | | ±40 | |
| 法兰连接尺寸 Flange Connection Dimensions | 0.6MPa | D | 975 | 1075 | 1175 | 1405 | 1630 | 1830 | 2045 | 2265 | 2475 | 2685 | 2905 | 3115 | 3315 | 3525 | | | | | |
| | | K | 920 | 1020 | 1120 | 1340 | 1560 | 1760 | 1970 | 2180 | 2390 | 2600 | 2810 | 3020 | 3220 | 3430 | | | | | |
| | | n-th | 12-M27 | | 14-M27 | 16-M30 | 18-M33 | 20-M33 | 22-M36 | 24-M39 | 26-M39 | 28-M39 | 30-M45 | 32-M45 | 34-M45 | 36-M45 | | | | | |
| | 1.0MPa | D | 1015 | 1115 | 1230 | 1455 | 1675 | 1915 | 2115 | 2325 | 2550 | 2760 | 2960 | 3180 | 3405 | 3610 | | | | | |
| | | K | 950 | 1050 | 1160 | 1380 | 1590 | 1820 | 2020 | 2230 | 2440 | 2650 | 2850 | 3070 | 3290 | 3495 | | | | | |
| | | n-th | 12-M30 | 14-M30 | 14-M33 | 16-M36 | 18-M39 | 20-M45 | 22-M45 | 24-M45 | 26-M52 | 28-M52 | 30-M52 | 34-M52 | 34-M56 | 36-M58 | | | | | |
| 1.6MPa | D | 1025 | 1125 | 1255 | 1485 | 1685 | 1930 | 2130 | 2345 | 2555 | 2765 | 2965 | | | | | | | | | |
| | K | 950 | 1050 | 1170 | 1390 | 1590 | 1820 | 2020 | 2230 | 2440 | 2650 | 2850 | | | | | | | | | |
| | n-th | 12-M36 | 14-M36 | 14-M39 | 16-M45 | 18-M45 | 20-M52 | 22-M52 | 24-M56 | 26-M58 | 28-M58 | 30-M58 | | | | | | | | | |

注: DN > 3200, 工作压力大于1.6MPa的传力补偿接头亦可选用。可采用全部传力螺杆。

Note: Force-transmission compensation joint (DN > 3200, working pressure > 1.6MPa) can also be selected. All force-transmission screws are applicable.

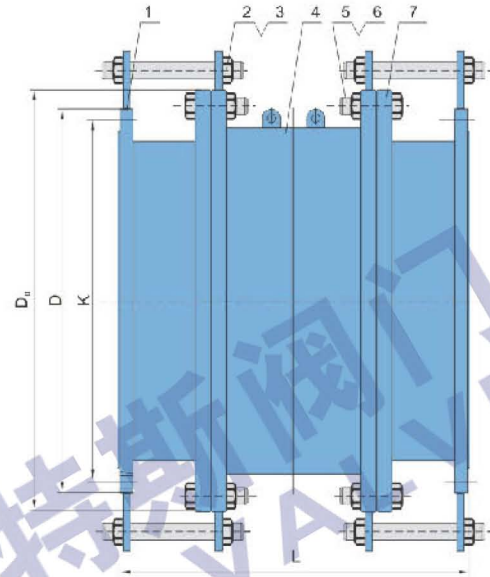
D型大挠度松套补偿接头

TYPE-D LARGE FLEXIBILITY LAPPED COMPENSATION JOINT

□ 性能特点 Features

大挠度松套补偿接头由短管法兰、压盖、滑动管和密封装置等组成，是一种新型的管道连接器，采用独特的抗轴力设计，结构简单、密封性能可靠、抗拉脱力强，具有较大的可挠量和伸缩量，适合于工况恶劣、地形复杂场合的管道连接。

Large Flexibility Lapped Compensation joint is made up of short pipe flange, cover, slip pipe and seal tightness part. It adopts a special anti axial force designation. Its structure is simple, the leak tightness is reliable, dragging off resistance is well. It also has good flexibility and expansibility so it is suitable for pipes connecting under tough construction condition, and complex topography condition.



□ 零部件材质及数量

Material and quantity of parts

| 序号 NO. | 1 | 2 | 3 | 4 | 5 | 6 | 7 | | | | | |
|--------------|---------------------------|-----------------|----------------|---------------------------|---------------------------|---------------------------|---------------------------|----------------|---------------|------------------|--|--|
| 名称 Name | 短管法兰 Short pipe flange | 固定螺栓 fixed stud | 固定螺母 fixed nut | 滑动管 slip pipe | 螺栓 bolt | 螺母 nut | 压盖 cover | 限位块 stop block | 挡圈 check ring | 密封圈 sealing ring | | |
| 数量 Amount | 2 | | | 2 | | | 2 | 2 | 2 | 2 | | |
| 材料 Materials | Q235, 20, 不锈钢 (Stainless) | Q235 | | Q235, 20, 不锈钢 (Stainless) | Q235, 20, 不锈钢 (Stainless) | Q235, 20, 不锈钢 (Stainless) | Q235, 20, 不锈钢 (Stainless) | | Q235, 20 | NBR, FPM, NR | | |

□ PN0.6MPa D型大挠度松套补偿接头基本尺寸

Basic dimensions for PN0.6MPa Type-D compensation joint

| 管子外径 Pipe OD DW | 100 | 125 | 150 | 200 | 250 | 300 | 350 | 400 | 450 | 500 | 600 | 700 | 800 | | | | |
|--|-----|-----|-----|-----|-----|-----|-----|-----|-----|-----|-----|-----|------|-----|--|-----|--|
| 公称通径 DN | 114 | 140 | 168 | 219 | 273 | 325 | 377 | 426 | 480 | 530 | 630 | 720 | 820 | | | | |
| 法兰连接尺寸 法兰外径 Flange OD D | 210 | 240 | 265 | 320 | 375 | 440 | 490 | 540 | 595 | 645 | 755 | 860 | 975 | | | | |
| 螺栓孔中心圆直径 Diameter Of Center Hole In Bolt K | 170 | 200 | 225 | 280 | 335 | 385 | 445 | 495 | 550 | 600 | 705 | 810 | 920 | | | | |
| 法兰连接尺寸 螺栓孔径 Bolt Hole Diameter d0 | 18 | | | | | | | | | | | 22 | 26 | 30 | | | |
| 密封面 Sealing Surface d | 144 | 174 | 199 | 254 | 309 | 363 | 413 | 463 | 518 | 568 | 667 | 772 | 878 | | | | |
| 外形尺寸 D ₁ Out Dimension | 305 | 330 | 360 | 415 | 465 | 530 | 580 | 645 | 700 | 750 | 870 | 960 | 1085 | | | | |
| 总长 Total Length L | 520 | | | 560 | | 605 | | 660 | | 670 | | 720 | | 750 | | 810 | |
| 可挠量 Flexible Extent | 7 | | | | | | | | | | | 6.5 | | | | | |
| 最大伸缩量 Maximum Expansion Scope δ | ±60 | | | | | | | | | | | ±65 | | | | | |

| 管子外径 Pipe OD DW | 900 | 1000 | 1200 | 1400 | 1600 | 1800 | 2000 | 2200 | 2400 | 2600 | 2800 | 3000 | 3200 | |
|--|------|------|------|------|------|------|------|------|------|------|------|------|------|--|
| 公称通径 DN | 920 | 1020 | 1220 | 1420 | 1620 | 1820 | 2020 | 2220 | 2420 | 2620 | 2820 | 3020 | 3220 | |
| 法兰连接尺寸 法兰外径 Flange OD D | 1075 | 1175 | 1405 | 1630 | 1830 | 2045 | 2265 | 2475 | 2685 | 2905 | 3115 | 3315 | 3525 | |
| 螺栓孔中心圆直径 Diameter Of Center Hole In Bolt K | 1020 | 1120 | 1340 | 1560 | 1760 | 1970 | 2180 | 2390 | 2600 | 2810 | 3020 | 3220 | 3430 | |
| 法兰连接尺寸 螺栓孔径 Bolt Hole Diameter d0 | 30 | 33 | 36 | 39 | 42 | 48 | 52 | 56 | 60 | 64 | 68 | 72 | | |
| 密封面 Sealing Surface d | 978 | 1078 | 1295 | 1510 | 1710 | 1918 | 2125 | 2335 | 2545 | 2750 | 2960 | 3160 | 3370 | |
| 外形尺寸 D ₁ Out Dimension | 1185 | 1305 | 1505 | 1715 | 1930 | 2150 | 2370 | 2570 | 2820 | 3020 | 3230 | 3440 | 3665 | |
| 总长 Total Length L | 855 | 950 | 1000 | 1050 | 1140 | 1200 | 1250 | 1300 | 1420 | 1450 | 1500 | 1600 | 1780 | |
| 可挠量 Flexible Extent | 6.5 | | | | | | | | | | | 6 | | |
| 最大伸缩量 Maximum Expansion Scope δ | ±65 | | | | | | | | | | | ±75 | | |



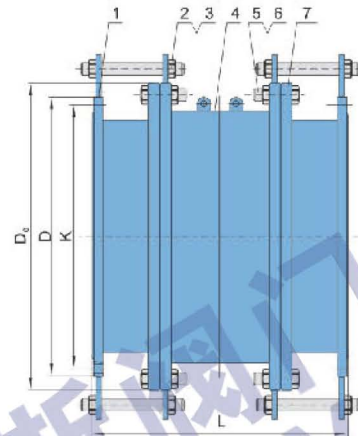
D型大挠度松套补偿接头

TYPE-D LARGE FLEXIBILITY LAPPED COMPENSATION JOINT

性能特点 Features

大挠度松套补偿接头由短管法兰、压盖、滑动管和密封装置等组成，是一种新型的管道连接器，采用独特的抗轴力设计，结构简单、密封性能可靠、抗拉脱力强，具有较大的可挠量和伸缩量，适合于工况恶劣、地形复杂场合的管道连接。

Large Flexibility Lapped Compensation joint is made up of short pipe flange, cover, slip pipe and seal tightness part. It adopts a special anti axial force designation. Its structure is simple, the leak tightness is reliable, dragging off resistance is well. It also has good flexibility and expansibility so it is suitable for pipes connecting under tough construction condition, and complex topography condition.



PN1.0MPa D型大挠度松套补偿接头基本尺寸

Basic dimensions for PN1.0MPa Type-D compensation joint

| | | | | | | | | | | | | | |
|---------------------------------|--|-----|-----|-----|-----|-----|-----|-----|-----|-----|-----|-----|-----|
| 管子外径 Pipe OD DW | 100 | 125 | 150 | 200 | 250 | 300 | 350 | 400 | 450 | 500 | 600 | 700 | |
| 公称口径 DN | 114 | 140 | 168 | 219 | 273 | 325 | 377 | 426 | 480 | 530 | 630 | 720 | |
| 法兰连接尺寸 Flange | 法兰外径 Flange OD D | 220 | 250 | 285 | 340 | 395 | 445 | 505 | 565 | 615 | 670 | 780 | 895 |
| | 螺栓孔中心圆直径 Diameter Of Center Hole In Bolt K | 180 | 210 | 240 | 295 | 350 | 400 | 460 | 515 | 565 | 620 | 725 | 840 |
| Connection Dimensions | 螺栓孔径 Bolt Hole Diameter d0 | 18 | 22 | | | | | 26 | | | 30 | | |
| | 螺栓 Bolt | n'个 | 8 | | 12 | | 16 | | 20 | | 24 | | |
| | Th | M16 | M20 | | | | | M24 | | | M27 | | |
| 密封面 Sealing Surface d | 156 | 184 | 211 | 266 | 319 | 370 | 429 | 480 | 530 | 582 | 682 | 794 | |
| 外形尺寸 Out Dimension | D0 | 305 | 330 | 360 | 415 | 465 | 530 | 580 | 645 | 700 | 750 | 870 | 960 |
| | 总长 Total Lenth L | 520 | | | 560 | | 605 | | 660 | | 670 | 720 | 750 |
| 可挠量 Flexible Extent | | 7 | | | | | | | | | | 6.5 | |
| 最大伸缩量 Maximum Expansion Scope δ | | ±60 | | | | | | | | | | ±65 | |

| | | | | | | | | | | | | | | |
|---------------------------------|--|------|------|------|------|------|------|------|------|------|------|------|------|------|
| 管子外径 Pipe OD DW | 800 | 900 | 1000 | 1200 | 1400 | 1600 | 1800 | 2000 | 2200 | 2400 | 2600 | 2800 | 3000 | |
| 公称口径 DN | 820 | 920 | 1020 | 1220 | 1420 | 1620 | 1820 | 2020 | 2220 | 2420 | 2620 | 2820 | 3020 | |
| 法兰连接尺寸 Flange | 法兰外径 Flange OD D | 1015 | 1115 | 1230 | 1455 | 1675 | 1915 | 2115 | 2325 | 2550 | 2760 | 2960 | 3180 | 3405 |
| | 螺栓孔中心圆直径 Diameter Of Center Hole In Bolt K | 950 | 1050 | 1160 | 1380 | 1590 | 1820 | 2020 | 2230 | 2440 | 2650 | 2850 | 3070 | 3290 |
| Connection Dimensions | 螺栓孔径 Bolt Hole Diameter d0 | 33 | 36 | 39 | 42 | 48 | | | 56 | | | 60 | | |
| | 螺栓 Bolt | n'个 | 24 | 28 | 32 | 36 | 40 | 44 | 48 | 52 | 56 | 60 | 64 | 68 |
| | Th | M30 | M33 | M36 | M39 | M45 | | | M52 | | | M56 | | |
| 密封面 Sealing Surface d | 901 | 1001 | 1112 | 1328 | 1530 | 1750 | 1950 | 2150 | 2370 | 2570 | 2780 | 3000 | 3210 | |
| 外形尺寸 Out Dimension | D0 | 1085 | 1185 | 1305 | 1505 | 1715 | 1930 | 2150 | 2370 | 2570 | 2820 | 3020 | 3230 | 3440 |
| | 总长 Total Lenth L | 810 | 855 | 950 | 1000 | 1050 | 1140 | 1200 | 1250 | 1300 | 1420 | 1450 | 1500 | 1600 |
| 可挠量 Flexible Extent | | 6.5 | | | | | | 6 | | | | | | |
| 最大伸缩量 Maximum Expansion Scope δ | | ±65 | | | | | | ±75 | | | | | | |

PN1.6MPa D型大挠度松套补偿接头基本尺寸 Basic dimensions for PN1.6MPa Type-D compensation joint

| | | | | | | | | | | | | | | | | | | | | | |
|---------------------------------|--|-----|-----|-----|-----|-----|-----|-----|-----|-----|-----|-----|-----|------|------|------|------|------|------|------|------|
| 管子外径 Pipe OD DW | 100 | 125 | 150 | 200 | 250 | 300 | 350 | 400 | 450 | 500 | 600 | 700 | 800 | 900 | 1000 | 1200 | 1400 | 1600 | 1800 | 2000 | |
| 公称口径 DN | 114 | 140 | 168 | 219 | 273 | 325 | 377 | 426 | 480 | 530 | 630 | 720 | 820 | 920 | 1020 | 1220 | 1420 | 1620 | 1820 | 2020 | |
| 法兰连接尺寸 Flange | 法兰外径 Flange OD D | 220 | 250 | 285 | 340 | 405 | 460 | 520 | 580 | 640 | 715 | 840 | 910 | 1025 | 1125 | 1255 | 1485 | 1685 | 1930 | 2130 | 2345 |
| | 螺栓孔中心圆直径 Diameter Of Center Hole In Bolt K | 180 | 210 | 240 | 295 | 355 | 410 | 470 | 525 | 585 | 650 | 770 | 840 | 950 | 1050 | 1170 | 1390 | 1590 | 1820 | 2020 | 2230 |
| Connection Dimensions | 螺栓孔径 Bolt Hole Diameter d0 | 18 | 22 | 26 | | | 30 | | 33 | 36 | | 39 | | 42 | 48 | | 56 | | 60 | | |
| | 螺栓 Bolt | n'个 | 8 | | 12 | | 16 | | 20 | | 24 | | 28 | | 32 | 36 | 40 | 44 | 48 | | |
| | Th | M16 | M20 | M24 | | M27 | | M30 | M33 | | M36 | | M39 | M45 | | M52 | | M56 | | | |
| 密封面 Sealing Surface d | 156 | 184 | 211 | 266 | 319 | 370 | 429 | 480 | 548 | 609 | 720 | 794 | 901 | 1001 | 1112 | 1328 | 1530 | 1750 | 1950 | 2150 | |
| 外形尺寸 Out Dimension | D0 | 305 | 330 | 360 | 415 | 465 | 530 | 580 | 645 | 700 | 750 | 870 | 960 | 1085 | 1185 | 1305 | 1505 | 1715 | 1930 | 2150 | 2370 |
| | 总长 Total Lenth L | 520 | | | 560 | | 605 | | 660 | | 670 | 720 | 750 | 810 | 855 | 950 | 1000 | 1050 | 1140 | 1250 | 1300 |
| 可挠量 Flexible Extent | | 7 | | | | | | | | | | 6.5 | | | | | | | | 6 | |
| 最大伸缩量 Maximum Expansion Scope δ | | ±60 | | | | | | | | | | ±65 | | | | | | | | ±75 | |

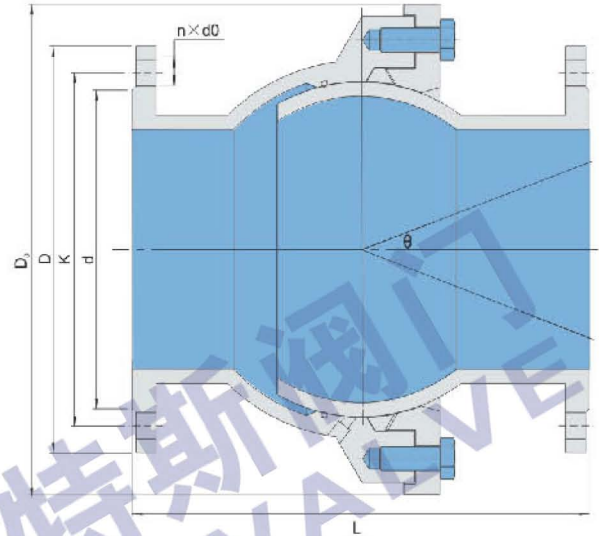
E型补偿接头

TYPE-E SPHERICAL COMPENSATE JOINT

性能特点 Features

本产品采用密封采用双密封技术，实现长期可靠密封；接头本体能承受1.5倍的公称压力强度，而不会有渗漏和塑性变形；具有可以补偿多维方向、形式多样、寿命长、能有效的补偿或消除安装误差、适用温度范围高、抗腐蚀性能好、可以效地隔离震动和减小噪音的特点。该补偿器补偿量大，对固定管架的作用力小，在主固定管架的强度设计时，不需要考虑盲板力。

The product adopts double direction seal to make sure long- time reliable seal. The body can bear 1.5 times nominal pressure to make sure no leakage and deformation. The product has the following advantage: it can effectively compensate and get rid of installation tolerance, can be used in a wide range temperature circumstance, have a strong anti-corrosion, insulate and reduce noise. The joint can satisfy a very large compensation and affect a small force on pipe support. So that blind flanged force is not considered during design for main pipe support.



PN0.6MPa E型补偿接头基本尺寸

Basic dimensions for Type-E of PN0.6MPa compensation joint

| DN | 100 | 150 | 200 | 250 | 300 | 350 | 400 | 450 | 500 | 600 | 700 | 800 | 900 | 1000 | 1200 | 1400 | 1600 | 1800 | 2000 | 2200 | 2400 |
|----|-----|-----|-----|-----|-----|-----|-----|-----|-----|-----|-----|-----|------|------|------|------|------|------|------|------|------|
| D | 210 | 265 | 320 | 375 | 440 | 490 | 540 | 595 | 645 | 755 | 860 | 975 | 1075 | 1175 | 1405 | 1630 | 1830 | 2045 | 2265 | 2475 | 2685 |
| K | 170 | 225 | 280 | 335 | 395 | 445 | 495 | 550 | 600 | 705 | 810 | 920 | 1020 | 1120 | 1340 | 1560 | 1760 | 1970 | 2180 | 2390 | 2600 |
| d0 | 18 | | | 22 | | | | | 26 | | 30 | | 30 | 33 | 38 | | | 39 | 42 | | |
| n | 4 | 8 | | 12 | | | 16 | | 20 | | 24 | | 26 | 33 | 36 | | | 39 | 42 | | |
| d | 144 | 199 | 254 | 309 | 363 | 413 | 463 | 518 | 568 | 667 | 772 | 878 | 978 | 1078 | 1295 | 1510 | 1710 | 1918 | 2125 | 2335 | 2545 |
| L | 290 | 320 | 382 | 410 | 430 | 470 | 550 | 600 | 689 | 725 | 800 | 893 | 920 | 975 | 1125 | 1290 | 1385 | 1580 | 1870 | 1950 | 2080 |
| B | 15 | | | | | | | | | | | | | | 13 | | | 10 | | | |

PN1.0MPa E型补偿接头基本尺寸

Basic dimensions for Type-E of PN1.0MPa compensation joint

| DN | 100 | 150 | 200 | 250 | 300 | 350 | 400 | 450 | 500 | 600 | 700 | 800 | 900 | 1000 | 1200 | 1400 | 1600 | 1800 | 2000 | 2200 | 2400 |
|----|-----|-----|-----|-----|-----|-----|-----|-----|-----|-----|-----|------|------|------|------|------|------|------|------|------|------|
| D | 220 | 285 | 340 | 395 | 445 | 505 | 565 | 615 | 670 | 780 | 895 | 1015 | 1115 | 1230 | 1455 | 1675 | 1915 | 2115 | 2325 | 2550 | 2760 |
| K | 180 | 240 | 295 | 350 | 400 | 460 | 515 | 565 | 620 | 725 | 840 | 950 | 1050 | 1160 | 1380 | 1590 | 1820 | 2020 | 2230 | 2440 | 2650 |
| do | 18 | 22 | | | | | 26 | | | 30 | | 33 | | 36 | 39 | 42 | 48 | | | 56 | |
| n | 8 | | | 12 | | | 16 | | 20 | | 24 | | 28 | | 32 | 36 | 40 | 44 | 48 | 52 | 56 |
| d | 156 | 211 | 266 | 319 | 370 | 429 | 480 | 530 | 582 | 652 | 794 | 901 | 1001 | 1112 | 1328 | 1530 | 1750 | 1950 | 2150 | 2370 | 2570 |
| L | 290 | 320 | 382 | 410 | 430 | 470 | 550 | 600 | 689 | 725 | 800 | 893 | 920 | 975 | 1125 | 1290 | 1385 | 1580 | 1870 | 1950 | 2080 |
| B | 15 | | | | | | | | | | | | | | 13 | | | 10 | | | |

PN1.6MPa E型补偿接头基本尺寸

Basic dimensions for Type-E of PN1.6MPa compensation joint

| DN | 100 | 150 | 200 | 250 | 300 | 350 | 400 | 450 | 500 | 600 | 700 | 800 | 900 | 1000 | 1200 | 1400 | 1600 | 1800 | 2000 |
|----|-----|-----|-----|-----|-----|-----|-----|-----|-----|-----|-----|------|------|------|------|------|------|------|------|
| D | 220 | 285 | 340 | 405 | 460 | 520 | 580 | 640 | 715 | 840 | 910 | 1025 | 1125 | 1255 | 1485 | 1685 | 1930 | 2130 | 2345 |
| K | 180 | 240 | 295 | 355 | 410 | 470 | 525 | 585 | 650 | 770 | 840 | 950 | 1050 | 1170 | 1390 | 1590 | 1820 | 2020 | 2230 |
| do | 18 | 22 | | 26 | | | 30 | | 33 | 36 | | 39 | | 42 | 48 | 49 | 56 | | 62 |
| n | 8 | | 12 | | | 16 | | 20 | | 24 | | 28 | | 32 | 36 | 40 | 44 | 48 | |
| d | 156 | 211 | 266 | 319 | 370 | 429 | 480 | 548 | 609 | 720 | 794 | 901 | 1001 | 1112 | 1328 | 1530 | 1750 | 1950 | 2150 |
| L | 290 | 320 | 382 | 410 | 430 | 470 | 550 | 600 | 689 | 725 | 800 | 893 | 920 | 975 | 1125 | 1290 | 1385 | 1580 | 1870 |
| B | 15 | | | | | | | | | | | | | | 13 | | | 10 | |

声 明

STATEMENT

天津塘沽瓦特斯阀门有限公司作为“TWT”名称、商标及品牌的合法拥有者，自1956年建厂以来，一贯以良好的质量、优质的服务及先进的技术秉承TWT品牌在业界卓越的声誉。

鉴于近来市场上出现的部分混淆TWT公司名称、侵害TWT商标的行为及假冒TWT产品的公司，我司特此郑重声明：本公司系唯一合法具有“TWT”商标及品牌所有者。天津塘沽瓦特斯阀门有限公司作为本公司的企业名称标识，本公司从未授权任何其它企业、公司使用该名称，从未在任何其他地区开设分公司或者办事处，并未授权或者与其它企业及公司合作、合资使用本公司的商标、品牌及专利技术。

为维护本公司及客户的权益，杜绝假冒伪劣产品，本公司自本声明公布之日起即将对公司每个合同的使用项目和代理商进行备案。凡在2009年6月之后与本公司签订合同的客户，均可通过“TWT”官方网站 www.twtvalve.com 查询合同的清单内容及供货周期等履行情况。如客户有任何疑问均可向本公司致电、咨询。本公司对于任何提供或举报假冒伪劣产品属实的个人及企业，将给予相应的奖励。

本公司最后重申：“TWT”的品牌、商标、专利、版权均为TWT公司所有。如发现侵权，本公司将一概追究侵权者的全部经济、法律责任。

特此声明！

Tianjing Tanggu TWT Valve Co., Ltd., as the legal owner for the name, trademark and brand of "TWT", since established in 1956, with TWT Brand, has always been enjoying distinguished reputation in the Industry in good quality, excellent service and advance technology.

Considering that recently some behaviors on the market of confusing TWT company name, infringement of TWT trademark as well as some companies counterfeiting TWT products, our company hereby states and declares: our company is the only legal owner of "TWT" trademark and brand. Tianjing Tanggu TWT Valve Co., Ltd., is the official name of our company, our company has never authorized any other company or enterprise to use the name, has never set up any branch company or office in the other areas, and has never cooperated with any other companies or enterprises to use the trademark, brand and know-how of our company.

In order to safeguard the rights and interests of our company and all clients, fight against fake and inferior products, our company, since this Statement on the day, will keep records for each contractual project and agent. From June, 2009, all clients signing contracts with our company can check performance of contract, including the details of contract list and delivery period, etc. from "TWT" official website www.twtvalve.com. If any doubts, clients can call our company for consultation. Any person and enterprise that have provided or reported fake and inferior products, should this be found to be true after examination, will receive awards from our company.

Our company hereby reiterates: "TWT" brand, trademark, patent and copyright all are the property of Tianjing Tanggu TWT Valve Co., Ltd., If any infringement is found, any infringer will be prosecuted for his economic and legal liabilities without exception.

天津塘沽瓦特斯阀门有限公司
二〇一二年



地址：天津市滨海新区塘沽国家海洋高新技术园区
金江路1999号300451

Add : No. 1999 Jinjiang Rd., TMHT, Tanggu district,
Binhai New Area, Tianjin 300451, China

Tel : 86-22-65728888 65727777

Fax : 86-22-65727744

Email: service@twtvalve.com

http: www.twtvalve.com

欲想了解更多关于TWT阀门产品或订购，请参便当地的分销商或致电工厂。
Please consult local agent or contract with our factory directly if you have any question or ordering.



TWT公司保留在设计、材质、尺寸及规格等方面改进的权利，恕不另行通知。
TWT will retain the rights of improving in design, material, dimensions and sizes. No information about these improvements is specially notified.